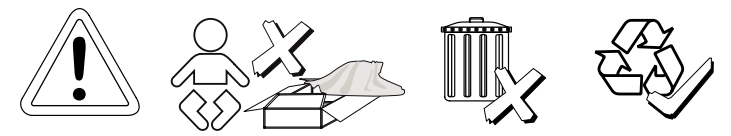
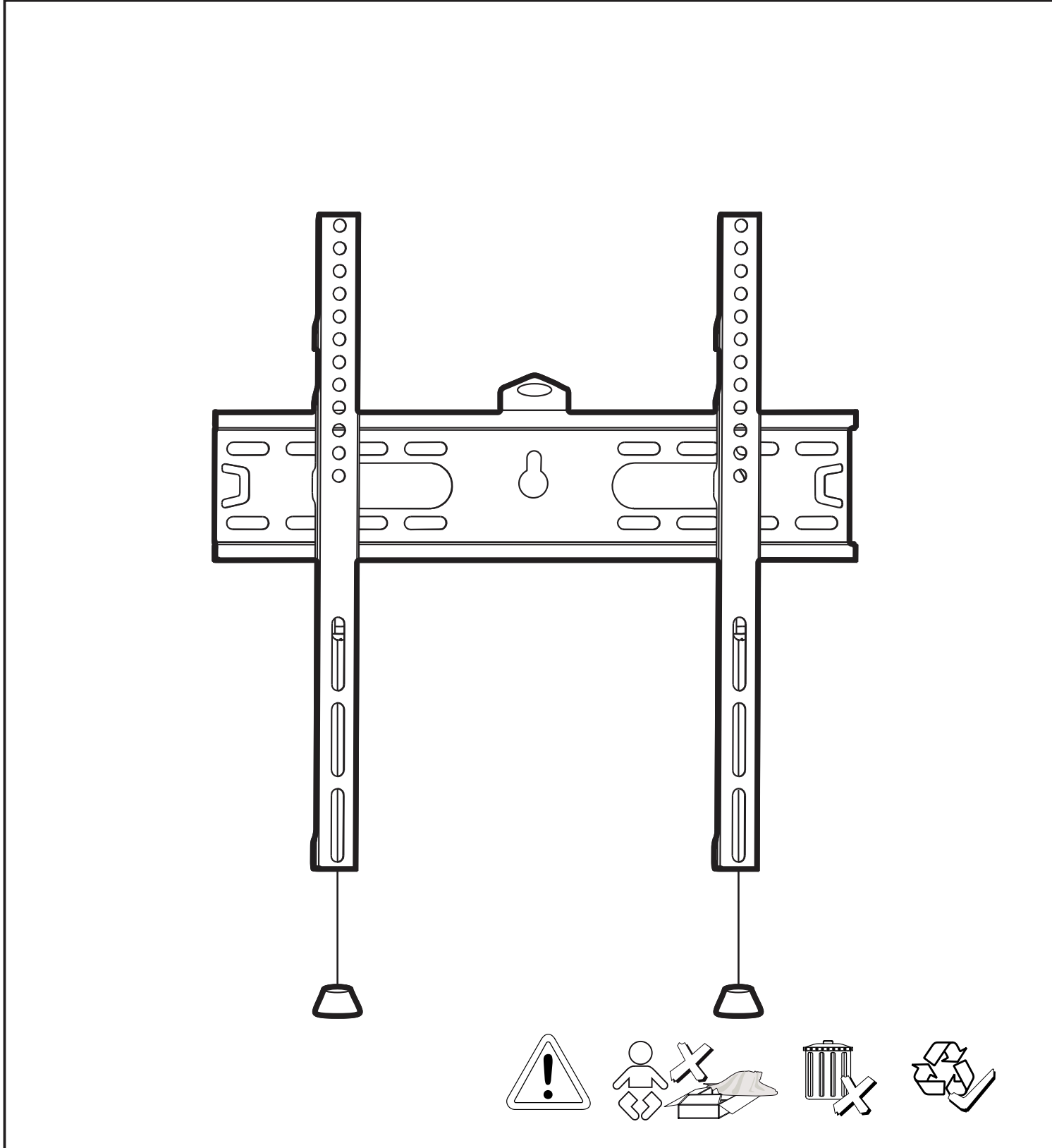
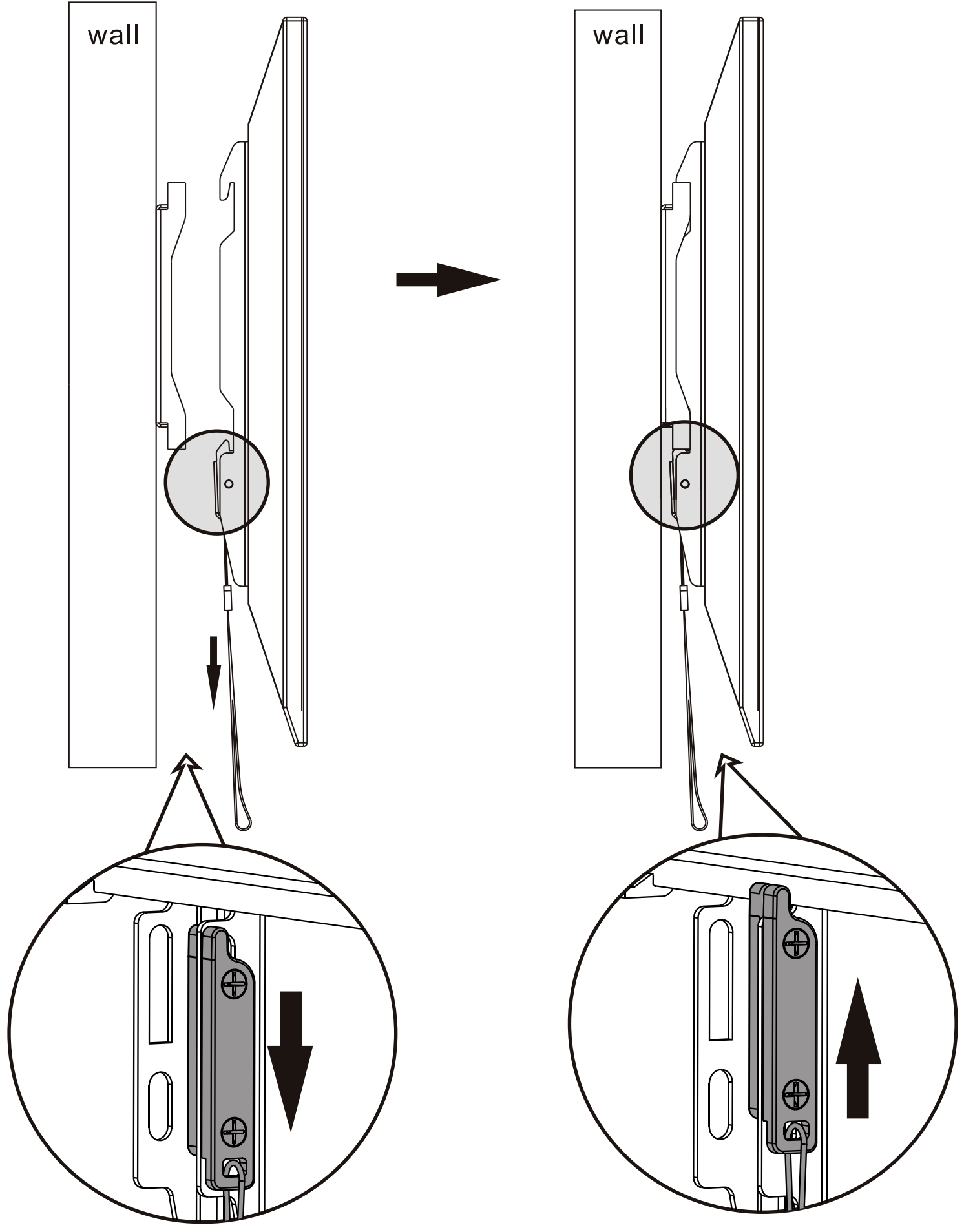


Product Name: TWM402  
Art number: 402215



**TECHLINK , A Division Of Tapehand Ltd.**  
Units 7 and 8 Bat and Ball Enterprise Centre  
Bat and Ball Road  
Sevenoaks  
Kent  
United Kingdom  
TN14 5LJ

 **(UK)Free Phone 0800 634 2699**  
**(US)Toll Free (844) 499-1159**  
 **spares@techlink.uk.com**  
**Web** **www.techlink.uk.com**  
**www.recharge.uk.com**



**3a** Different TVs will require different screw sizes, choose the best screw size for your TV.

- M-A x4
- M-B x4
- M-C x4
- M-F x4

For new Samsung TVs use the longer S-A screw together with the Samsung wall mount adapter provided by Samsung with the TV.

**Tools**

[T-A]

**Main Parts**

[A] x 1

[B] x 2

[C] x 1

**Package W**

[W-A] x 5

[W-B] x 5

[W-C] x 4

**Samsung TV Screws**

[S-A] x 4

(M8 X 45)

(M4 X 45)

**Package M**

[M-A] x 4  
(M5 X 14)

[M-B] x 4  
(M6 X 14)

[M-C] x 4  
(M8 X 20)

[M-D] x 4  
(M6 X 30)

[M-E] x 4  
(M8 X 30)

[M-F] x 4

[M-G] x 8

[M-H] x 4

**3b** Different TVs will require different screw sizes, choose the best screw size for your TV. Use the spacers with the longer screws to help avoid blocking any connector ports.

- M-C x4
- M-D x4
- M-E x4
- M-F x4
- M-G x4/8
- M-H x4

M-G

or

M-G

or

M-H

or

M-H

**1**

[A] [C] [G]

