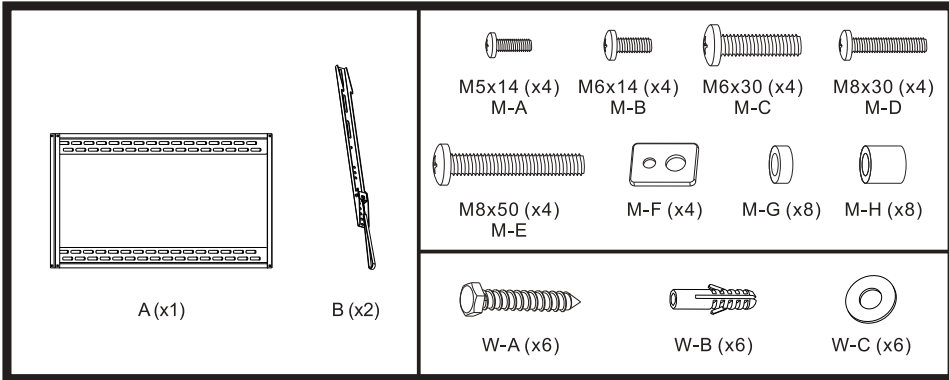
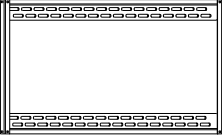










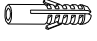



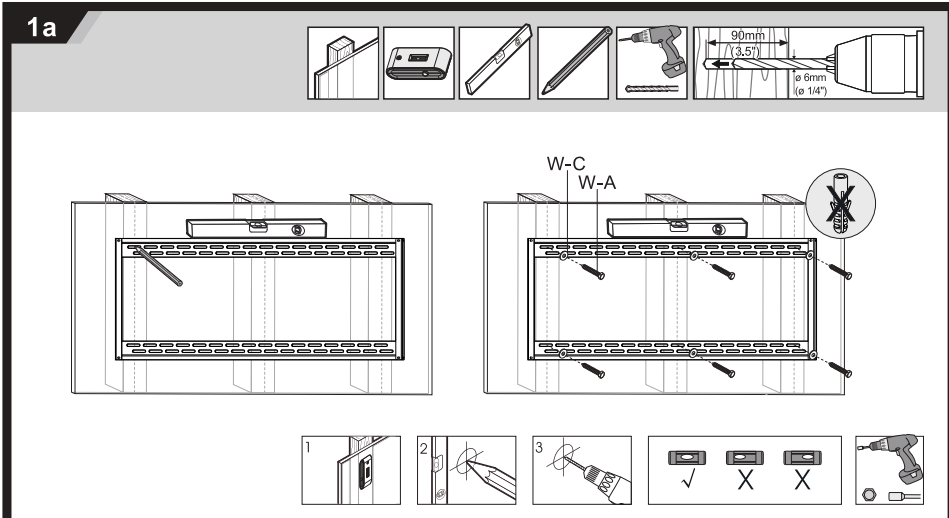
# WM901

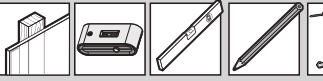
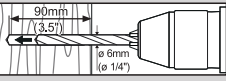


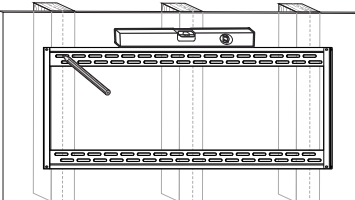
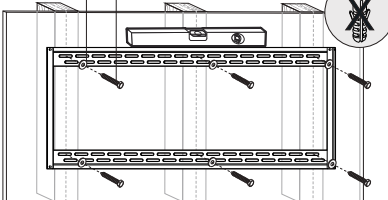
**A (x1)**  **B (x2)** 


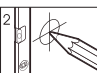
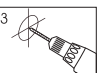
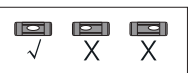
 M5x14 (x4) M-A	 M6x14 (x4) M-B	 M6x30 (x4) M-C	 M8x30 (x4) M-D
 M8x50 (x4) M-E	 M-F (x4)	 M-G (x8)	 M-H (x8)
 W-A (x6)	 W-B (x6)	 W-C (x6)	

### 1a

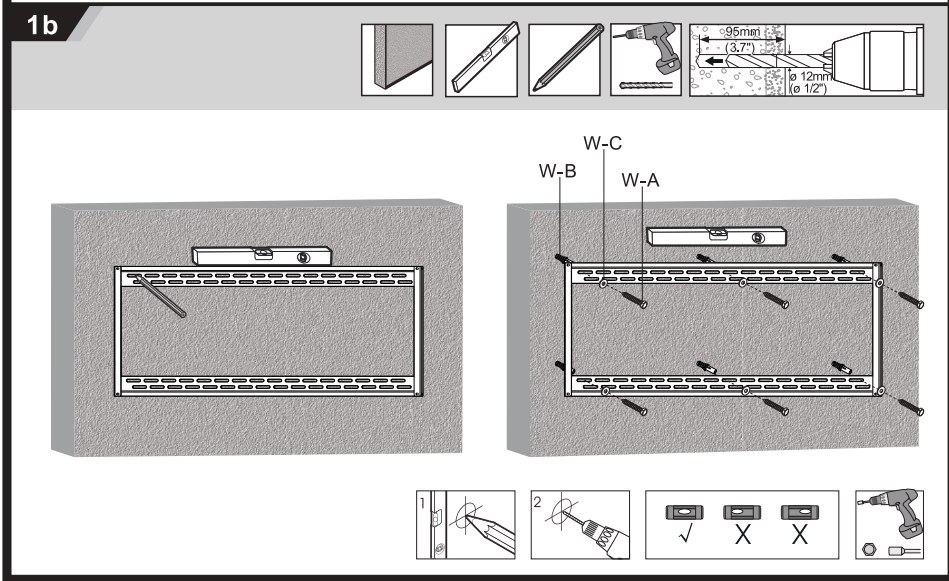


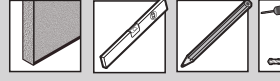
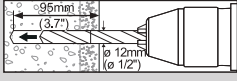



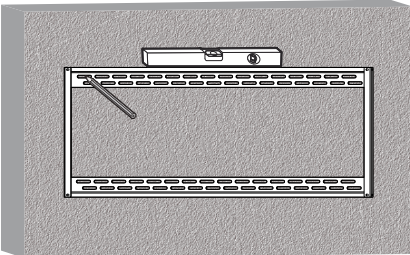
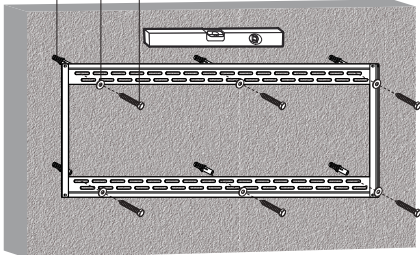




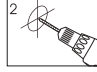






### 1b

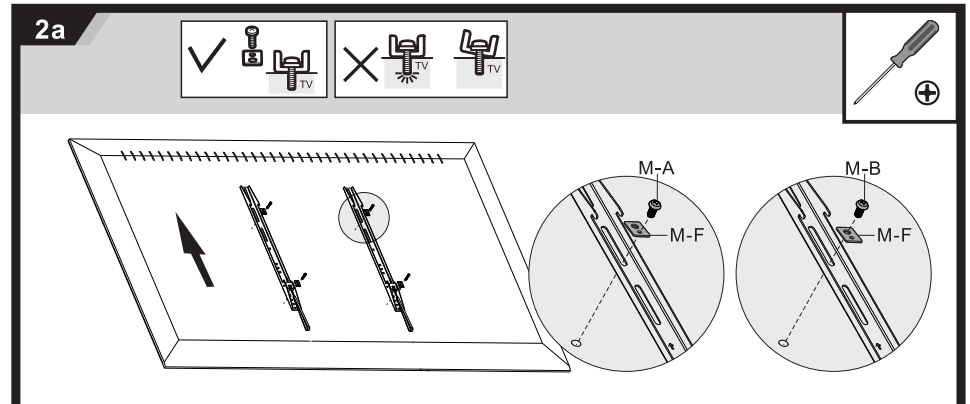






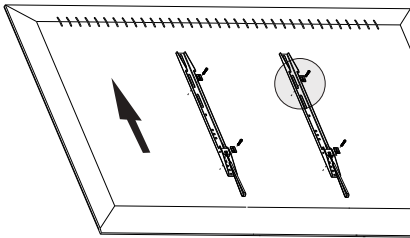
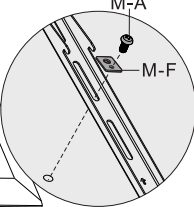
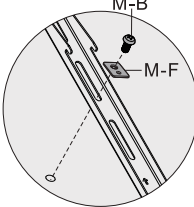



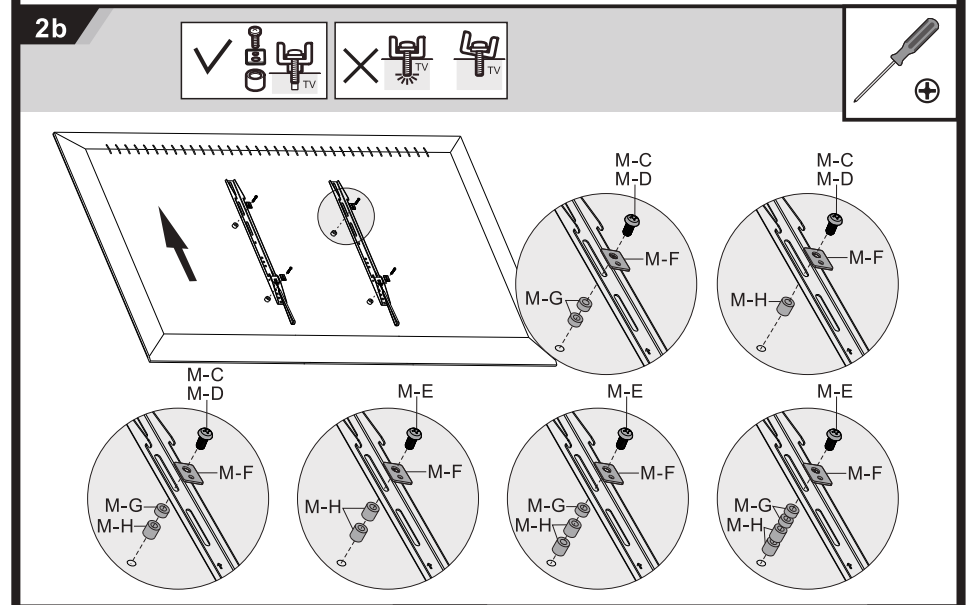
### 2a




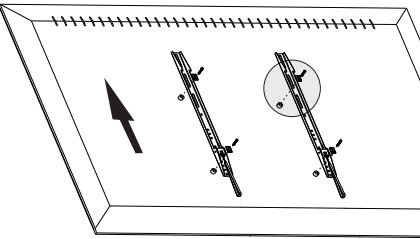
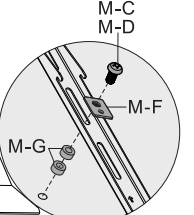
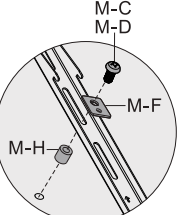
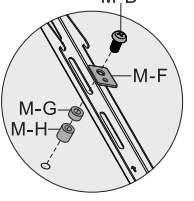
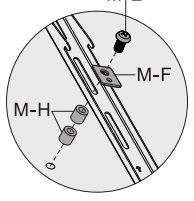
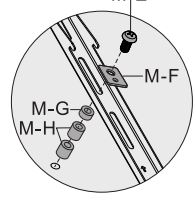
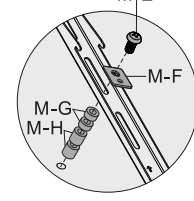


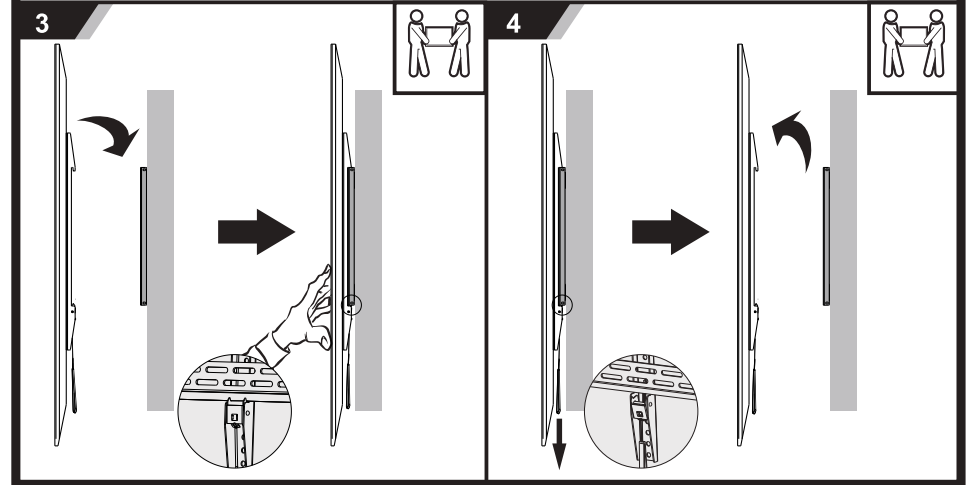
### 2b

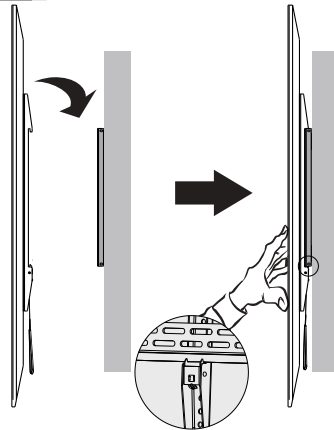




### 3





### 4

